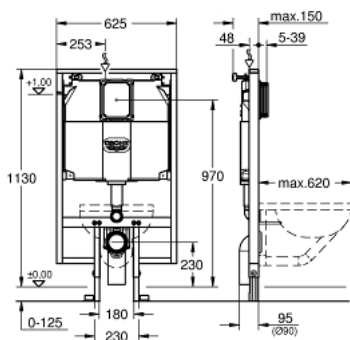


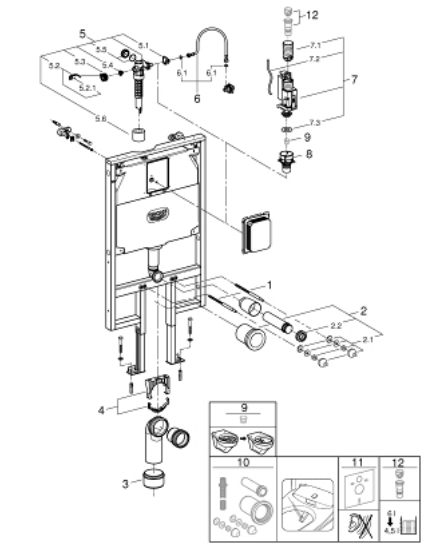
## 38 994 000 RAPID SL ELEMENT FOR WC WITH FLUSHING CISTERN 80 MM, 1.13 M INSTALLATION HEIGHT



### PRODUCT DESCRIPTION

- element width 0.62 m
- for small, narrow bathrooms
- for on-the-wall installations or studded walls
- powder coated steel frame, self-supporting
- for dry-cladding, completely pre-assembled
- with fixed connections
- quick adjustment, lockable
- fixing material
- TÜV approved
- 2 WC fixing bolts
- fixing device for ceramic
- distance of fixing bolts 180/230 mm
- PP outlet bend Ø 90 mm
- depth adjustable
- PP reducer Ø 90/110 mm
- inlet and outlet connecting set
- flushing cistern 80 mm, 6 - 9 l, containing following features:
  - adjustment ex factory 6 l and 3 l
  - pneumatic discharge valve offering 3 modes of operation: dual flush or start/stop or single flush
- water supply from top or back
- low noise (group I acc. to German Noise Specification)
- insulated against condensation
- water supply 1/2" and push fit flexible hose union
- no tools required for the installation of the inspection shaft including protection during construction phase
- for vertical use
- including wall brackets 38 558 00M for on-the-wall installation
- for mounting of small flush plates please order revision shaft 40 949 000 (sold separately)
- for installation in Scandinavia please order adapter 38 338 000 (sold separately)

## 38 994 000 RAPID SL ELEMENT FOR WC WITH FLUSHING CISTERN 80 MM, 1.13 M INSTALLATION HEIGHT



### SPARE PARTS, januar 2021 – now

- 1: Threaded bolt (Spare part-nr. 4276400M)
- 2: WC inlet and outlet connecting set (Spare part-nr. 37311K00)
  - 2.1: Basin fastening (Spare part-nr. 43511SH0)
  - 2.2: Connector (Spare part-nr. 37119000)
- 3: Reducer (Spare part-nr. 42242000)
- 4: Distance pipe 3" (Spare part-nr. 42766000)
- 5: Support for outlet bend (Spare part-nr. 42243000)
- 6: Filling valve (Spare part-nr. 43991000)
  - 6.1: Valve support (Spare part-nr. 43995000)
  - 6.2: Lever (Spare part-nr. 43734000)
    - 6.2.1: Seal (Spare part-nr. 4377000M)
  - 6.3: Valve head (Spare part-nr. 43536000)
  - 6.4: Membrane (Spare part-nr. 4375800M)
  - 6.5: Screw cap (Spare part-nr. 43735000)
  - 6.6: Valve float, 5 pcs. (Spare part-nr. 4379100M)
- 7: Connecting hose (Spare part-nr. 42233000)
  - 7.1: Sealing washer (Spare part-nr. 0319100M)
- 8: Headpart (Spare part-nr. 42385000)
- 9: Dual Flush discharge valve AV1 (Spare part-nr. 42320000)
  - 9.1: Extension for overflow pipe (Spare part-nr. 42313000)
  - 9.2: Pneumatic hose (Spare part-nr. 42319000)
  - 9.3: Seal (Spare part-nr. 42310000)
- 10: Valve seat for GD2 (Spare part-nr. 42315000)
- 11: Set for noise protection (Spare part-nr. 37131000)\*
- 12: Flow restrictor (Spare part-nr. 42300000)\*
- 13: 4.5 l adapter for GD2 (Spare part-nr. 42333000)\*
- 14: Retrofit kit for shower toilets Sensia Arena and Sensia Pro (Spare part-nr. 40899000)\*

\* Optional accessories