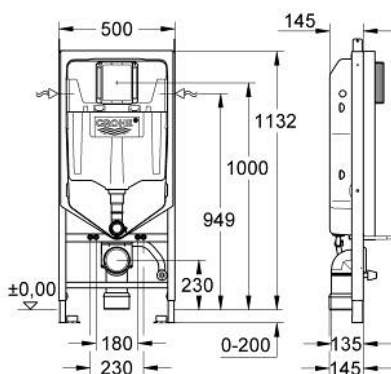


39 062 000 RAPID SL ELEMENT FOR WC WITH LEAKAGE BOX, 1.13 M INSTALLATION HEIGHT



PRODUCT DESCRIPTION (1/2)

- with flushing cistern GD 2, 6 - 9 l
- for on-the-wall installations or studed walls
- powder coated steel frame, self-supporting
- for dry-cladding, completely pre-assembled
- with fixed connections
- quick adjustment, lockable
- fixing material
- 2 WC fixing bolts
- fixing device for ceramic
- distance of fixing bolts 180/230 mm
- outlet bend Ø 90 mm
- depth adjustable
- reducer Ø 90/110 mm
- inlet and outlet connecting set
- leakage box
- collection body with wastewater lead-through and connection for spill, black
- leakage / splash water protection
- flushing cistern GD 2, 6 - 9 l, containing following features:
 - adjustment ex factory 6 l and 3 l
 - pneumatic discharge valve offering 3 modes of operation: dual flush or start/stop or single flush
 - water supply from left/right or back
- low noise (group I acc. to German Noise Specification)
- fully insulated against condensation
- angle valve 1/2"
- water inlet with pipe fixation
- no tools required for the installation of the inspection shaft including protection during construction phase
- for vertical or horizontal use
- including wall brackets 38 558 00M for on-the-wall installation
- for mounting of small flush plates please order revision shaft 40 911 000 (sold separately)

Pure Freude
an Wasser

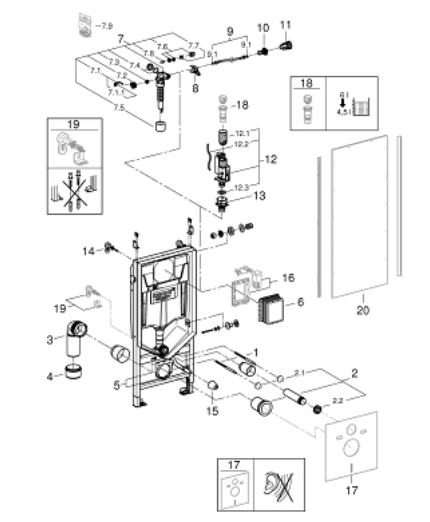


39 062 000 **RAPID SL ELEMENT FOR WC WITH LEAKAGE BOX, 1.13 M INSTALLATION HEIGHT**

PRODUCT DESCRIPTION (2/2)

- including Scandinavian adapter 38 338 000

39 062 000 RAPID SL ELEMENT FOR WC WITH LEAKAGE BOX, 1.13 M INSTALLATION HEIGHT



SPARE PARTS, april 2013 – now

- 1: Threaded bolt (Spare part-nr. 4276400M)
 - 2: WC inlet and outlet connecting set (Spare part-nr. 37311K00)
 - 2.1: Basin fastening (Spare part-nr. 43511SH0)
 - 2.2: Connector (Spare part-nr. 37119000)
 - 3: PP-outlet bend \varnothing 90 mm (Spare part-nr. 42327000)
 - 4: Reducer (Spare part-nr. 42242000)
 - 5: Support for outlet bend (Spare part-nr. 42243000)
 - 5.1: Hoop (Spare part-nr. 42949000)
 - 6: Inspection shaft (Spare part-nr. 66791000)
 - 7: Filling valve (Spare part-nr. 37095000)
 - 7.1: Lever (Spare part-nr. 43734000)
 - 7.1.1: Seal (Spare part-nr. 4377000M)
 - 7.2: Valve head (Spare part-nr. 43536000)
 - 7.3: Membrane (Spare part-nr. 4375800M)
 - 7.4: Screw cap (Spare part-nr. 43735000)
 - 7.5: Valve float, 5 pcs. (Spare part-nr. 4379100M)
 - 7.6: Set of seals (Spare part-nr. 43722000)*
 - 8: Support device (Spare part-nr. 42246000)
 - 9: Connecting hose (Spare part-nr. 42397000)
 - 9.1: Sealing washer (Spare part-nr. 0319100M)
 - 10: Angle valve (Spare part-nr. 42396000)
 - 11: Water supply pipe connector (Spare part-nr. 38338000)
 - 12: Dual Flush discharge valve AV1 (Spare part-nr. 42320000)
 - 12.1: Extension for overflow pipe (Spare part-nr. 42313000)
 - 12.2: Pneumatic hose (Spare part-nr. 42319000)
 - 12.3: Seal (Spare part-nr. 42310000)
 - 13: Valve seat for GD2 (Spare part-nr. 42315000)
 - 14: Wall brackets (Spare part-nr. 38558000)
 - 15: Escutcheon (Spare part-nr. 42454L00)
 - 16: Retrofit set (Spare part-nr. 38796000)*
 - 17: Set for noise protection (Spare part-nr. 37131000)*
 - 18: 4.5 l adapter for GD2 (Spare part-nr. 42333000)*
 - 19: Xtra wall brackets, flexible placing (Spare part-nr. 38733000)
 - 20: Cladding for wall mounted WC (Spare part-nr. 38630000)*
- * Optional accessories