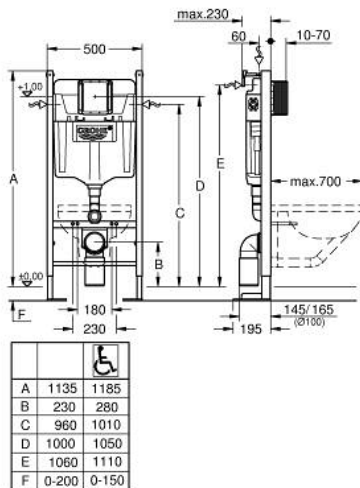


### 39 145 000 RAPID SL PROJECT ELEMENT FOR WC, 1.13 M INSTALLATION HEIGHT

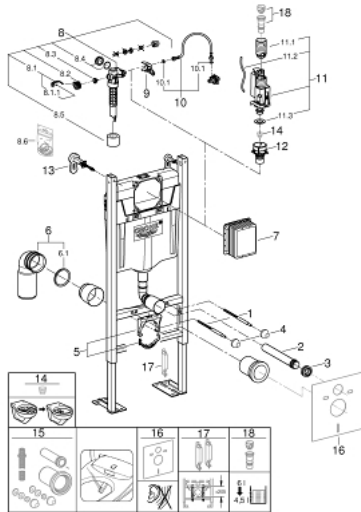


**PRODUCT DESCRIPTION**

- Colour: chrome
- NF approved
- flushing cistern GD 2, 6 - 9 l, containing following features:
- for vertical use
- including wall brackets 38 558 00M for on-the-wall installation
- for mounting of small flush plates please order revision shaft 40 911 000 (sold separately)



## 39 145 000 **RAPID SL PROJECT ELEMENT FOR WC, 1.13 M INSTALLATION HEIGHT**



### SPARE PARTS, januar 2021 – now

- 1: Threaded bolt (Spare part-nr. 4276400M)
- 2: Wall union (Spare part-nr. 43352000)
- 3: Connector (Spare part-nr. 37119000)
- 4: Basin fastening (Spare part-nr. 43511SH0)
- 5: Support for outlet bend (Spare part-nr. 42243000)
- 6: PVC waste bend (Spare part-nr. 42216000)
- 6.1: Sealing washer (Spare part-nr. 4207700M)
- 7: Fixing set (Spare part-nr. 4215800M)
- 8: Filling valve (Spare part-nr. 37095000)
- 8.1: Lever (Spare part-nr. 43734000)
- 8.1.1: Seal (Spare part-nr. 4377000M)
- 8.2: Valve head (Spare part-nr. 43536000)
- 8.3: Membrane (Spare part-nr. 4375800M)
- 8.4: Screw cap (Spare part-nr. 43735000)
- 8.5: Valve float, 5 pcs. (Spare part-nr. 4379100M)
- 8.6: Set of seals (Spare part-nr. 43722000)\*
- 9: Support device (Spare part-nr. 42246000)
- 10: Connecting hose (Spare part-nr. 42233000)
- 10.1: Sealing washer (Spare part-nr. 0319100M)
- 11: Dual Flush discharge valve AV1 (Spare part-nr. 42320000)
- 11.1: Extension for overflow pipe (Spare part-nr. 42313000)
- 11.2: Pneumatic hose (Spare part-nr. 42319000)
- 11.3: Seal (Spare part-nr. 42310000)
- 12: Valve seat for GD2 (Spare part-nr. 42315000)
- 13: Wall brackets (Spare part-nr. 3855800M)
- 14: Set for noise protection (Spare part-nr. 37131000)\*
- 15: 4.5 l adapter for GD2 (Spare part-nr. 42333000)\*
- 16: Flow restrictor (Spare part-nr. 42300000)\*
- 17: Accessory (Spare part-nr. 38779000)\*
- 18: Retrofit kit for shower toilets Sensia Arena and Sensia Pro (Spare part-nr. 40899000)\*

\* Optional accessories