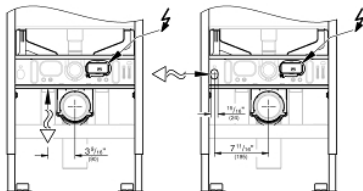
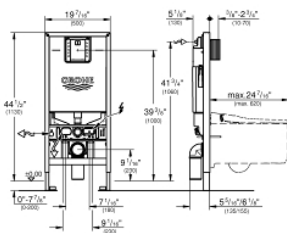


39 602 000 RAPID SLX ELEMENT FOR WC, 1.13 M INSTALLATION HEIGHT WITH INTEGRATED SOCKET



PRODUCT DESCRIPTION (1/2)

- with integrated socket for shower toilets (power)
- ready for shower toilets (water)
- small revision shaft for small flush plates
- for on-the-wall installations or studded walls
- powder coated steel frame, self-supporting
- for dry-cladding, completely pre-assembled
- without outlet pipe
- with fixed connections
- quick adjustment, lockable
- fixing material
- TÜV approved
- approved for US
- 2 WC fixing bolts
- fixing device for ceramic
- distance of fixing bolts 180/230 mm
- outlet bend Ø 90 mm
- depth adjustable
- reducer Ø 90/110 mm
- inlet and outlet connecting set
- flushing cistern GD_X, 6 l, containing following features:
 - adjustment ex factory 6 l and 3 l
 - pneumatic discharge valve offering 3 modes of operation: dual flush or start/stop or single flush
 - water supply from right, back or top
 - low noise (group I acc. to German Noise Specification)
 - fully insulated against condensation
 - 1/2" water supply connection including integrated angle valve and push fit flexible hose union
- no tools required for the installation of the inspection shaft including protection during construction phase
- for vertical use



Pure Freude
an Wasser

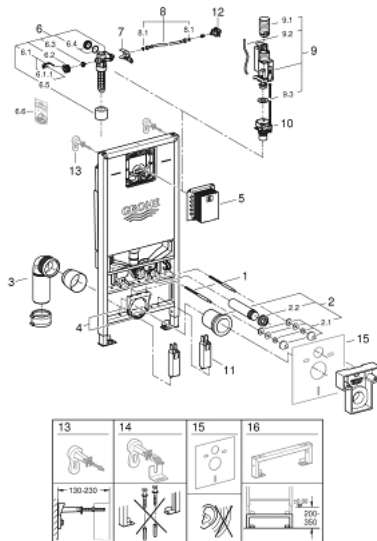


39 602 000 **RAPID SLX ELEMENT FOR WC, 1.13 M INSTALLATION HEIGHT WITH INTEGRATED SOCKET**

PRODUCT DESCRIPTION (2/2)

- for on-the-wall installation please order wall brackets 38 558 00M (sold separately)
- including flow manager
- reduces flow of the flush
- prevents overspill in rimless toilets
- easy flow regulation via inspection shaft without removing the valves

39 602 000 RAPID SLX ELEMENT FOR WC, 1.13 M INSTALLATION HEIGHT WITH INTEGRATED SOCKET



SPARE PARTS, januar 2020 – now

- 1: Threaded bolt (Spare part-nr. 4276400M)
- 2: WC inlet and outlet connecting set (Spare part-nr. 37311K00)
- 2.1: Basin fastening (Spare part-nr. 43511SH0)
- 2.2: Connector (Spare part-nr. 37119000)
- 3: PP-outlet bend Ø 90 mm (Spare part-nr. 42327000)
- 4: Support for outlet bend (Spare part-nr. 42243000)
- 5: Revision shaft for small flush plates (Spare part-nr. 40911000)
- 6: filler valve US (Spare part-nr. 42485000)
- 6.1: Lever (Spare part-nr. 43734000)
- 6.1.1: Seal (Spare part-nr. 4377000M)
- 6.2: Valve head (Spare part-nr. 43536000)
- 6.3: Membrane (Spare part-nr. 4375800M)
- 6.4: Screw cap (Spare part-nr. 43735000)
- 6.5: Valve float, 5 pcs. (Spare part-nr. 4379100M)
- 6.6: Dummy plug and escutcheon cap (Spare part-nr. 37125000)
- 6.7: Compression nut (Spare part-nr. 43258000)
- 6.8: Throttle (Spare part-nr. 42356000)
- 6.9: Set of seals (Spare part-nr. 43722000)*
- 7: Support device (Spare part-nr. 42246000)
- 8: Connecting hose (Spare part-nr. 42233000)
- 8.1: Sealing washer (Spare part-nr. 0319100M)
- 9: Dual Flush discharge valve AV1 (Spare part-nr. 42320000)
- 9.1: Extension for overflow pipe (Spare part-nr. 42313000)
- 9.2: Pneumatic hose (Spare part-nr. 42319000)
- 9.3: Seal (Spare part-nr. 42310000)
- 10: Valve seat (Spare part-nr. 42593000)
- 11: Accessory (Spare part-nr. 39607000)
- 12: Wall brackets (Spare part-nr. 3855800M)*
- 13: Xtra wall brackets, flexible placing (Spare part-nr. 38733000)*
- 14: Set for noise protection (Spare part-nr. 37131000)*
- 15: Extension for Rapid SL and Rapid SLX (Spare part-nr. 38629001)*

* Optional accessories