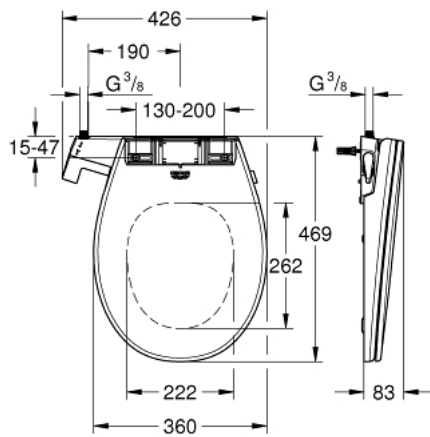


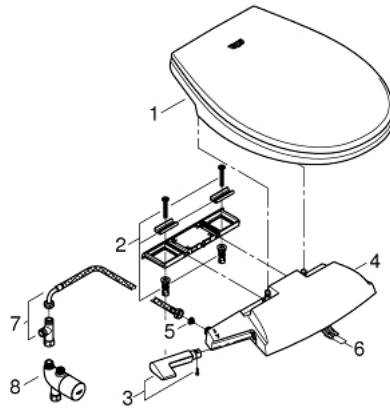
39 648 SH0 BAU CERAMIC MANUAL BIDET SEAT



PRODUCT DESCRIPTION

- Colour: alpine white
- WC seat with lid
- 2 dedicated spray arms (1 for anal area, 1 for front spray)
- pre- and post-rinsing of spray nozzle with fresh water
- manually operated side handle requires no electricity
- Duroplast WC seat and lid with soft close function
- flexible water connection 3/8"
- includes:
 - mounting plate
 - filter
 - pressure 0.1 - 1.0 MPa (1 - 10 bar)
 - complies with EN 1717

39 648 SH0 BAU CERAMIC MANUAL BIDET SEAT



SPARE PARTS, januar 2019 – now

- 1: WC seat and lid (Spare part-nr. 14986SH0)
- 2: Fastening (Spare part-nr. 14989000)
- 3: Lever (Spare part-nr. 14988F00)
- 4: Operating unit (Spare part-nr. 14987SH0)
- 5: Filter (Spare part-nr. 4241300M)
- 6: Spray set (Spare part-nr. 14990000)
- 7: Accessory set shower hose and T piece (Spare part-nr. 14074000)*
- 8: Thermostatic scalding protection (Spare part-nr. 34487000)*

* Optional accessories